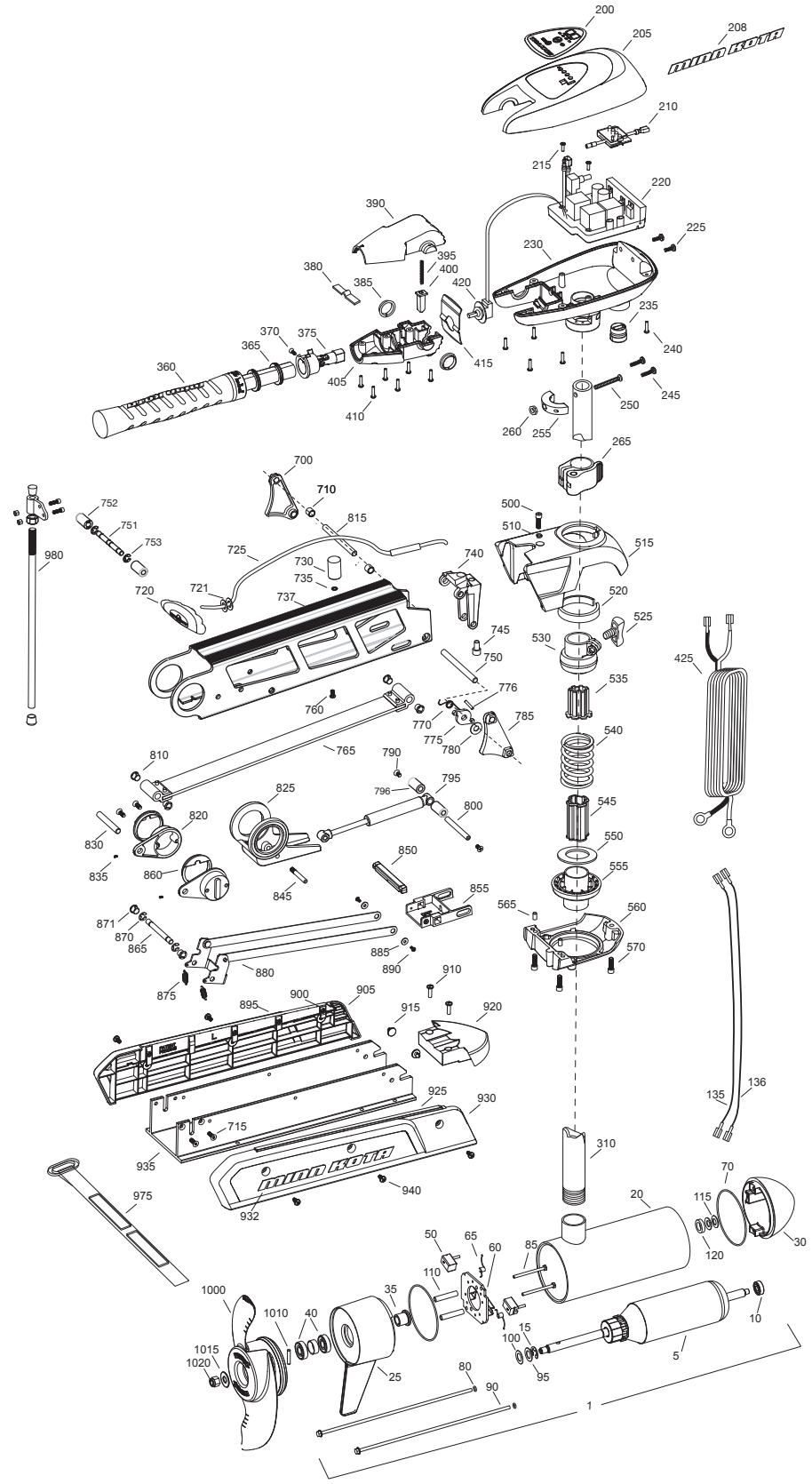


PARTS DIAGRAM

RIPTIDE FORTREX 80
80 LBS THRUST - 24 VOLT - 56 AMPS - 52"/62" SHAFT



PARTS LIST

RIPTIDE FORTREX 80

80 LBS THRUST - 24 VOLT - 52"/62" SHAFT

ITEM	QTY	PART NUMBER	DESCRIPTION
1	1	2316226	24V MOTOR 52" SW
5	1	2-100-214	ARMATURE ASSEMBLY
10	1	140-010	BEARING
15	1	788-040	RETAINING RING
20	1	2-200-397	CENTER HOUSING ASSEMBLY
25	1	2-300-340	BRUSH END HOUSING ASSEMBLY
30	1	421-376	PLAIN END HOUSING ASSY. STD
35	1	144-017	FLANGE BEARING
40	2	880-025	SEAL
50	2	188-094	BRUSH
60	1	9-738-004	BRUSH PLATE ASSEMBLY
65	2	975-041	BRUSH SPRING
70	1	701-043	O-RING, PLAIN END HOUSING
80	2	701-009	O-RING, THRU-BOLT
85	2	830-027	SCREW-BRUSH PLATE
90	2	830-094	THRU-BOLT
95	1	990-051	WASHER, STEEL
100	2	990-052	WASHER, NYLATRON
110	1	973-025	SPACER, BRUSH PLATE
115	2	992-010	WASHER, BELLEVILLE
120	1	990-045	SPACER, THRUST
135	1	640-021	LEADWIRE, BLACK
136	1	640-126	LEADWIRE, RED
■		2889460	SEAL AND O-RING KIT [40, 70-80]
200	1	2195659	DECAL, C-BOX COVER 80#
205	1	2060296	C-BOX COVER
208	2	2325666	DECAL - MINNKOTA
210	1	2074081	BATTERY METER, 24V SW
215	2	3043427	SCREW, #8 X 7/8 SS
220	1	2184017	CONTROL BOARD, 24/36V
■		2888411	POTENTIOMETER REPLACEMENT KIT
225	2	2303434	SCREW, #8-30 X 5/8 SS
230	1	2062503	CONTROL BOX, VARS, SW
235	1	2062905	STRAIN RELIEF
240	6	2303412	SCREW, #6 X 5/8 SS
245	2	2263434	SCREW, #8 X 1 SS
250	1	2263406	SCREW, #10-24 X 2 SS
255	1	2061517	COLLAR, C-BOX
260	1	2333101	NUT, 10-24, NYLOCK, SS
265	1	2991521	CAM LOCK/DEPTH COLLAR ASSY
310	1	2002014	TUBE COMPOSITE 52"

ITEM	QTY	PART NUMBER	DESCRIPTION
	1	2002015	TUBE COMPOSITE 62"
■	1	2990957	HANDLE ASSY, VARS [360-410]
360	1	2990456	GRIP ASSY, VARS [360-375]
365	2	2060015	BEARING, HANDLE
370	1	2063405	SCREW, #6 PFH SS
375	1	2884092	YOKE / SPIDER ASSY, VARS
380	1	2302742	SPRING, DETENT, OFF
385	2	2060005	BEARING, HANDLE PIVOT
390	1	2060900	HANDLE PIVOT, TOP
395	1	2302745	SPRING, RELEASE BUTTON
400	1	2063700	BUTTON, RELEASE
405	1	2060905	HANDLE PIVOT, BOTTOM
410	6	2303412	SCREW, #6 X 5/8 SS
415	1	2062715	SPRING, HANDLE PIVOT
420	1	2061700	WASHER, POT HOLDER
425	1	2992521	LEADWIRE ASSY
■	1	2991757	BOWGUARD ASSY SW [500-570]
500	1	2263422	SCREW, 5/16-18 SHCS, RIE
510	1	2281700	WASHER, 5/16 HIGHCOLLAR LOCK
515	1	2281943	BOWGUARD TOP
520	1	2280001	BEARING, BOWGUARD TOP
525	1	2011366	KNOB, SS
530	1	2261525	SPRING SLEEVE, UPPER
535	1	2264702	TUBE INSERT, UPPER
540	1	2262705	SPRING, BOWGUARD
545	1	2282000	TUBE INSERT, LOWER
550	1	2281525	SPACER, LOWER SPRING
555	1	2281520	SPRING SLEEVE, LOWER
560	1	2991726	BOWGUARD BOTTOM
565	2	2262632	PIN-SPRING, 5/16", SS
570	3	2263422	SCREW, 3/8-16 SHCS, RIE
■	1	2991749	MOUNT, FORTREX, SHORT, 52" [700-940]
	1	2991750	MOUNT, FORTREX, LONG, 62" [700-940]
700	1	2280800	LINK, BOWGUARD MOUNT, LEFT
710	2	2287303	BUSHING, UPPER PINS
715	4	2283411	SCREW, 1/4-20 X 1" FHS RIE TORX
720	1	2880400	PULL GRIP ASSEMBLY
721	2	2261732	WASHER
725	1	2771601	ROPE ASSEMBLY
730	1	2281516	SPACER, INNER ARM
735	1	2281702	WASHER, LOCK 1/4

PARTS LIST

RIPTIDE FORTREX 80 80 LBS THRUST - 24 VOLT - 52"/62" SHAFT

ITEM	QTY	PART NUMBER	DESCRIPTION
737	1	2284202	OUTER ARM, SHORT, 52"
	1	2284212	OUTER ARM, LONG, 62"
740	1	2992322	ROPE GUIDE ASSEMBLY
745	1	2281530	INSERT, THREADED
750	1	2282608	PIN, 7/16 X 5 5/32
751	1	2282602	PIN, 3/8 X 3 3/4
752	2	2261505	SPACER
753	2	2263011	E-RING, 3/8 SHAFT
760	1	2223418	SCREW, 1/4-20 X 1/2 BHCS
765	1	2993819	INNER ARM ASSEMBLY, SHORT MOUNT, 52"
	1	2993821	INNER ARM ASSEMBLY, LONG MOUNT, 62"
770	1	2042711	SPRING, TORSION
775	1	2283620	LATCH, SAFETY
776	1	2282611	SPRING, SAFETY LATCH
780	1	2281704	WASHER 7/16 NYLON
785	1	2280805	LINK, BOWGUARD MOUNT, RIGHT
790	2	2283410	SCREW 1/4-20 X 1/2 PFH
795	1	2288403	GAS SPRING, 80#, SHORT MOUNT
	1	2288404	GAS SPRING, 80#, LONG MOUNT
796	2	2281710	SPACER, GAS SPRING
800	1	2282610	PIN, UPPER, SHOCK
810	4	2280005	BEARING, NYLINER 7/16"
815	1	2282600	PIN, 7/16 X 4 7/8
820	2	2281932	BRACKET, REAR PIVOT
825	1	2281501	YOKE, SHOCK MOUNT
830	1	2282606	PIN, 7/16 X 4 1/2
835	2	2283402	SCREW, SET, 6-32 X 1/4
845	1	2282604	PIN, KNURLED 5/16 X 2
850	1	2283615	LATCH BAR
855	1	2283610	BRACKET - LATCH/STRAP, ROPE PULL
860	2	2287300	BUSHING, REAR PIVOT
865	1	2282602	PIN, 3/8 X 3 3/4
870	2	2263011	E-RING, 3/8 SHAFT
871	2	2280008	BEARING, IGLIDE
875	2	2282720	SPRING, EXTENSION
880	1	2773600	LATCH STRAP ASSEMBLY, SHORT MOUNT
	1	2773601	LATCH STRAP ASSEMBLY, LONG MOUNT
885	2	2261732	WASHER 8, NYLON
890	2	2373450	SCREW 8-18 X 3/8
■	1	2993911	SIDEPLATE ASSY., SHORT, LEFT, SW
	1	2993916	SIDEPLATE ASSY., LONG, LEFT, SW

ITEM	QTY	PART NUMBER	DESCRIPTION
895	1	2288625	SUPPORT, LEFT SIDEPLATE
900	8	2283408	SCREW 8 X 3/8
905	1	2283911	SIDEPLATE, SHORT, LEFT, SW
	1	2283916	SIDEPLATE, LONG, LEFT, SW
910	2	2073408	SCREW 1/4-20 X 7/8
915	2	2286700	PLUG, SPACER
920	1	2283900	RAMP, MOTOR
■	1	2993921	SIDEPLATE ASSY., SHORT, RIGHT, SW
	1	2993926	SIDEPLATE ASSY., LONG, RIGHT, SW
925	1	2288620	SUPPORT, RIGHT SIDEPLATE
930	1	2283921	SIDEPLATE, SHORT, RIGHT, SW
	1	2283926	SIDEPLATE, LONG, RIGHT, SW
932	2	2285501	DECAL, SIDEPLATE, SW
935	1	2281902	BASE EXTRUSION, SHORT, 52"
	1	2281912	BASE EXTRUSION, LONG, 62"
940	6	2323405	SCREW 1/4-20 X 1/2
975	1	2773806	STRAP HOLD DOWN
980	1	2991925	BRACKET STABILIZER ASSEMBLY
	1	1378132	BUMPER (CRUTCH TIP)
	1	2994876	ANODIZED ALUMINUM 3/4" ROD, 22"
	1	2331160	HEX NUT 3/4-10 NYLON
	1	2262658	STABILIZER ARM BRACKET
	1	2091701	VINYL CAP
	1	2198401	NYLOCK STAINLESS STEEL NUT
	1	2994830	SCREW - 5/16-18 X 1"
■		1378160	PROPELLER KIT WW2 [1000-1020]
■		2994876	PROPELLER BAG ASSY [1010-1020]
1000	1	2341160	PROPELLER WW2
1010	1	2262658	DRIVE PIN, LARGE 1" X 3/16" SS
1015	1	2091701	WASHER, PROP, LARGE
1020	1	2198401	NUT, NYLOCK, PROP, ANODE
■		2994830	BAG ASSEMBLY

■ THIS ITEM IS PART OF AN ASSEMBLY.

*THIS ITEM IS PART OF A KIT AND ONLY LISTED FOR VIEWING PURPOSES.

MOTOR WIRING DIAGRAM

NOTE: This is a universal, multi-voltage diagram. Double-check your motor's voltage for proper connections. Over-Current Protection Devices not shown in this illustration.

Riptide Fortrex 80 is 24-volt only!

